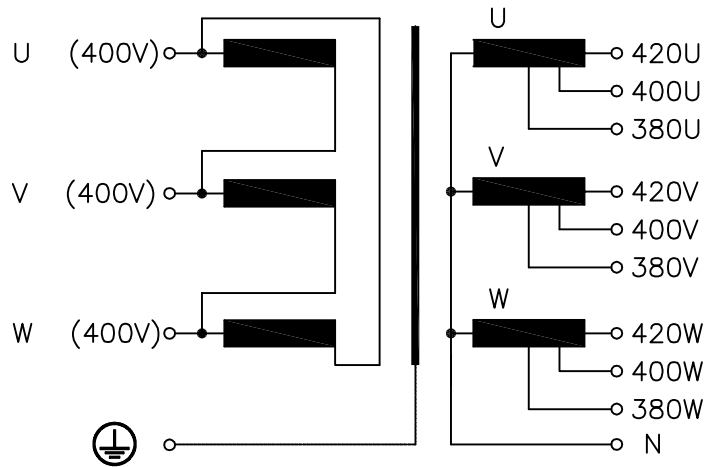


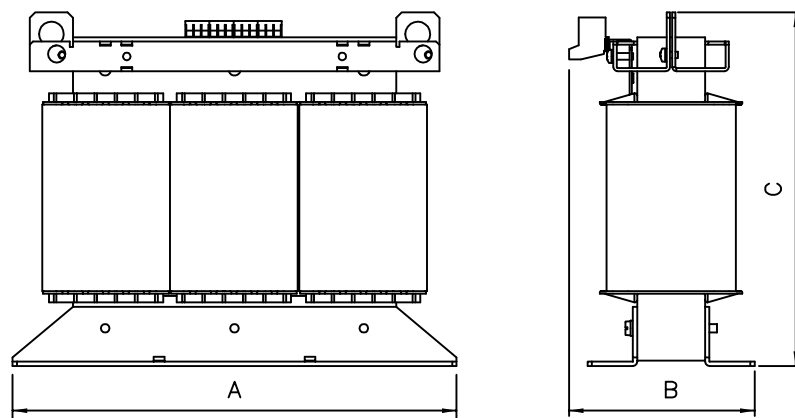
Anschlusskennzeichnung:
 Terminal Identification



⊕	⊘	⊘	⊘	⊘	⊘	⊘	⊘	⊘	⊘	⊘			
⊕	U	V	W	N	380U	380V	380W	400U	400V	400W	420U	420V	420W

Abmessungen:
 Dimensions

Abmessungen in mm:
 Dimensions in mm



- A= 480mm
- B= 192mm
- C= 400mm
- D= 316mm
- d1= 370mm
- d2= 450mm
- E= 143mm
- e1= 151mm
- e2= 133mm

Befestigungslöcher: 12mm x 20mm
 Mounting holes: 12mm x 20mm

Gewicht: typ. 91kg (Cu= 33kg, Fe= 52kg)
 Weight: typ. 91kg (Cu= 33kg, Fe= 52kg)

