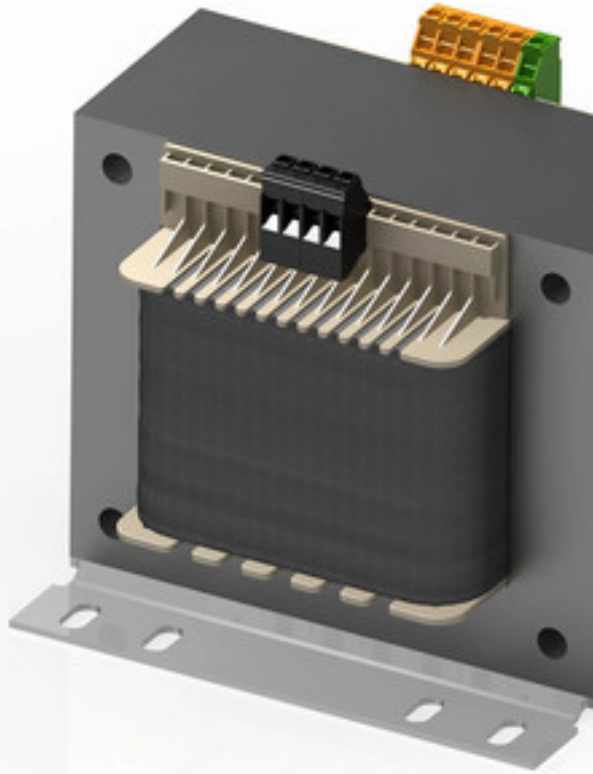


# Control- and safety isolating- resp. isolating transformer with shielding winding STSU 63/24



Picture shows STSU 1600/23

## Advantages

Dual input voltage 230 and 400 Vac
Shielding winding between input and output
Very good switch-on behaviour thanks to reduced starting currents
High power density due to a compact construction design
Primary side $\pm 15$ V tapings for voltage adjustment
Very good corrosion protection and low noise thanks to BLOCK IMPEX vacuum impregnation
Contact protected screw connection terminals complying with UVV BGV A3
Simple mounting thanks to robust metal footplate with oval slots
63 - 250 VA with combination footplate for bolted and rail mounting

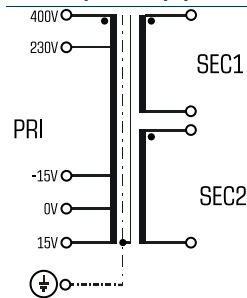
## Applications

As a control transformer for the electrical isolation of the input and output sides. The construction of the transformer is designed to supply control systems according to EN 60204.

As an isolating transformer for the safe electrical isolation of the input and output sides. The transformer may be used to set up protective separation as a protective measure in accordance with VDE 0100.

As a safety transformer for the safe electrical isolation of the input and output sides. The transformer is suitable for creating SELV and PELV circuits because of the limit on the output voltage.

## Sample application



## Standards

Safety isolating transformer  
to: VDE 0570 Teil 2-6, DIN EN 61558-2-6, EN 61558-2-6, IEC 61558-2-6, UL 5085-1/-2, CSA 22.2 No.66

## Approvals



UL 5085-1/-2, CSA 22.2 No.66

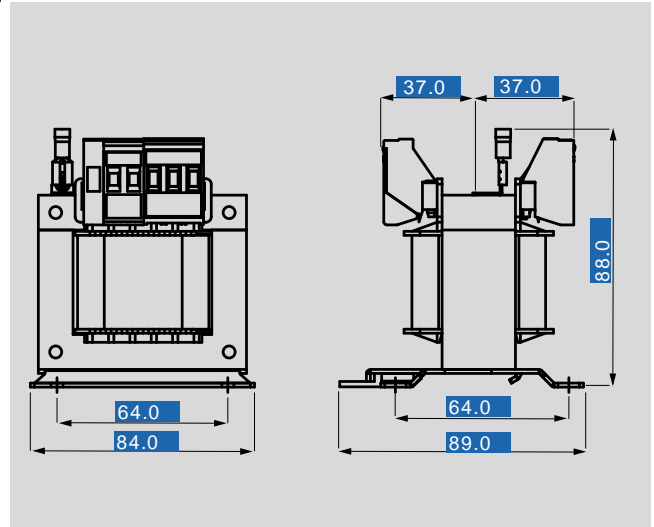


# Control- and safety isolating- resp. isolating transformer with shielding winding

## STSU 63/24

Type		STSU 63/24
Electrical data	Input	
	Rated frequency	50 - 60 Hz
	Rated input voltage	230/400 Vac
	Tappings Input	±15 V
	Output	
	Efficiency	82.4 %
	No-load voltage (app. x factor)	1.10
	Rated output voltage	2 x 12 Vac
	Rated power VDE (DB cos phi=1)	63 VA
	Rated power VDE (KB cos phi=0.5)	175 VA
	Standards	
	Classification	
	Approvals	
	Approvals	cURus
	Environment	
Ambient temperature max.	40 °C	
Type of cooling	self-cooling	
Safety and protection		
Insulation class	VDE=B, UL=class 130	
Protection index	IP 00	
Safety class (prepared)	I	
Type	Open type	
Short circuit strength	non-short-circuit proof	
Order numbers		
Order Number	STSU 63/24	

Type		STSU 63/24
Mechanical data	Terminal and mounting	
	Fixing method	Dual purpose foot plate also for installation on mounting rails
	Fixing screws	M4
	Terminals Input	Screw clamp, 4 mm <sup>2</sup>
	Terminals Output	Screw clamp, 4 mm <sup>2</sup>
	Terminals PE	Screw-type terminal, 4 mm <sup>2</sup>
	Measures and weights	
	Weight	1.30 kg



Subject to change.