

Autotransformer ESP 400/5,4



Picture shows ESP 230/10

Advantages

Low weight and small size (compared to isolating transformers)

Very high efficiency

Very good moisture protection and low noise thanks to BLOCK IMPEX vacuum impregnation

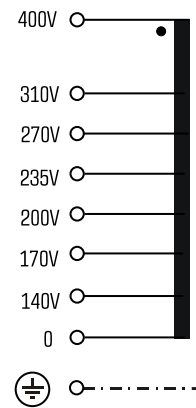
Contact protected screw connection terminals complying with UVV BGV A3

Simple mounting thanks to robust metal footplate with oval slots

Applications

Autotransformer for example for setting the speed of single-phase fan motors.

Sample application



Standards

Autotransformer
to: VDE 0570 Part 2-13, DIN EN 61558-2-13, EN 61558-2-13,
IEC 61558-2-13

Approvals

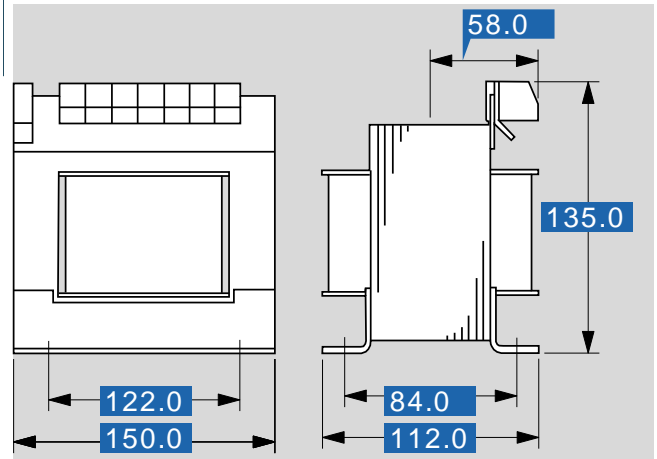




Autotransformer ESP 400/5,4

Type		ESP 400/5,4
Electrical data	Input	
	Rated input voltage	400 Vac
	Rated frequency	50 - 60 Hz
	Output	
	Rated output voltage	140 Vac/ 170 Vac/ 200 Vac/ 235 Vac/ 270 Vac/ 310 Vac
	Rated output current	5.40 A
	Environment	
	Ambient temperature max.	40 °C
	Safety and protection	
	Type	Open type
Insulation class	B	
Protection index	IP 00	
Safety class (prepared)	I	
Short circuit strength	non-short-circuit proof	
Order numbers		
Order Number		ESP 400/5,4

Type		ESP 400/5,4
Mechanical data	Terminal and mounting	
	Fixing method	Fixing rail
	Fixing screws	M6
	Terminals	Screw-type terminals, PE 6.3 x 0.8
	Measures and weights	
	Weight	7.8 kg



Subject to change.