



TRANSFORMERS PUSH-IN TERMINAL

The world's first for
transformers

MADE BY BLOCK



BLOCK 
blockusa.com

SMALL ELEMENT, BIG DIFFERENCE OUR PUSH-IN TERMINAL

BLOCK introduces the first transformer terminal in push-in technology.
Wiring in the field of transformers has never been so easy.

The push-in terminals are particularly safe and can be used under adverse conditions, as nothing can come loose even when subjected to shock and vibration. The spring mechanism of our push-in terminal withstands these stresses and the contacting remains constant.



OUR PUSH-IN TERMINAL THE WORLD'S FIRST FOR TRANSFORMERS

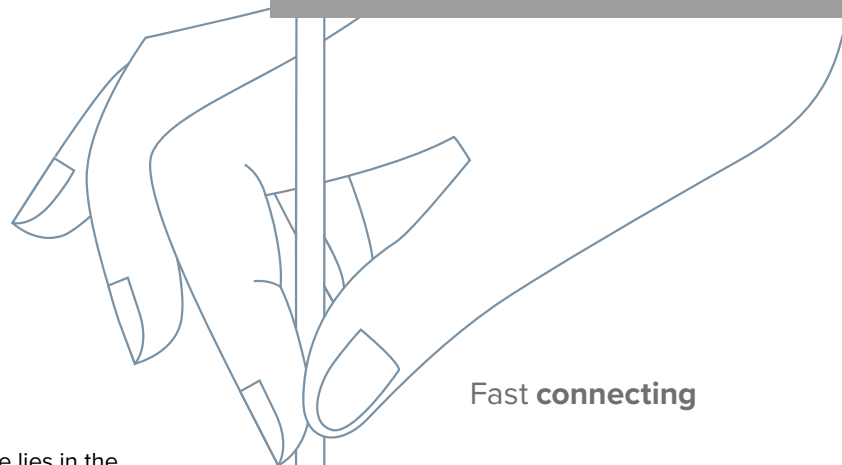
One of a kind: Our new push-in terminal offers numerous convincing advantages. Whether it's simple handling or time savings during assembly – it makes a significant contribution to increasing efficiency and safety. The push-in terminal can be easily fitted with the connecting wire from above and contacting takes only seconds. Connecting neighboring terminals is just as quick and convenient using the appropriate accessory bridges. The connection of cables with and without wire end ferrules is guaranteed and for disconnection of the wire, only the orange button has to be pressed.

LEARN MORE ABOUT BLOCK TRANSFORMERS



ALWAYS THE RIGHT
TRANSFORMER
FOR YOUR
APPLICATION

Difficult installation conditions or complex electrical requirements extend the application area for BLOCK transformers. Thanks to its coordinated components and more than 80 years of experience, BLOCK provides the right solution for all areas of industry. All solutions are of course certified and comply with the corresponding standards.

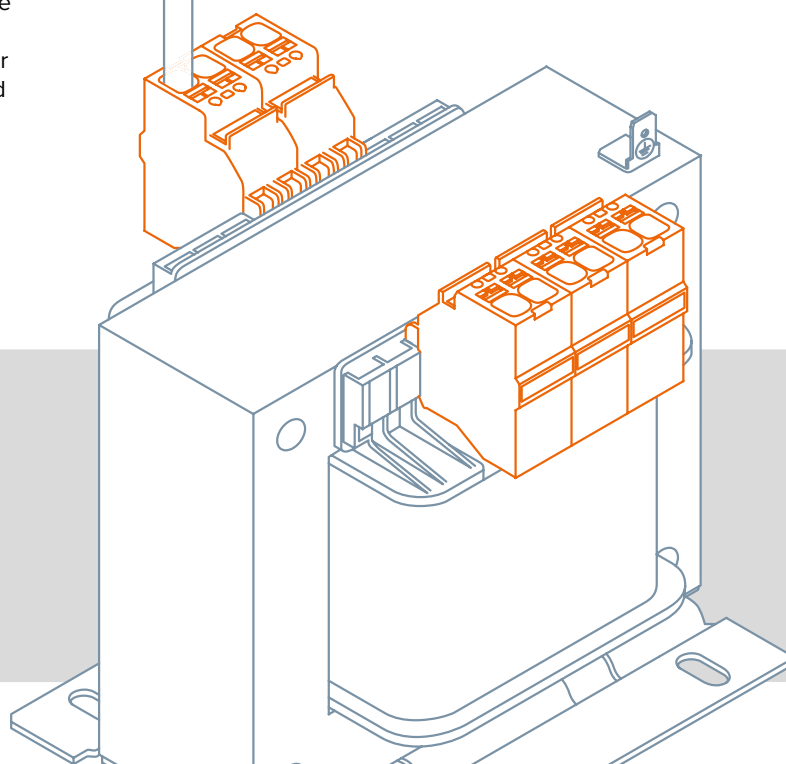
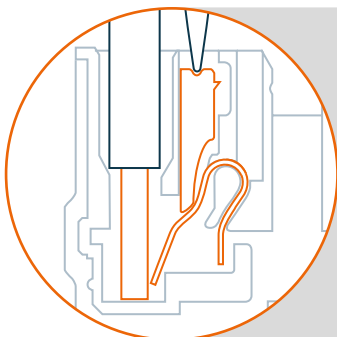


Fast **connecting**

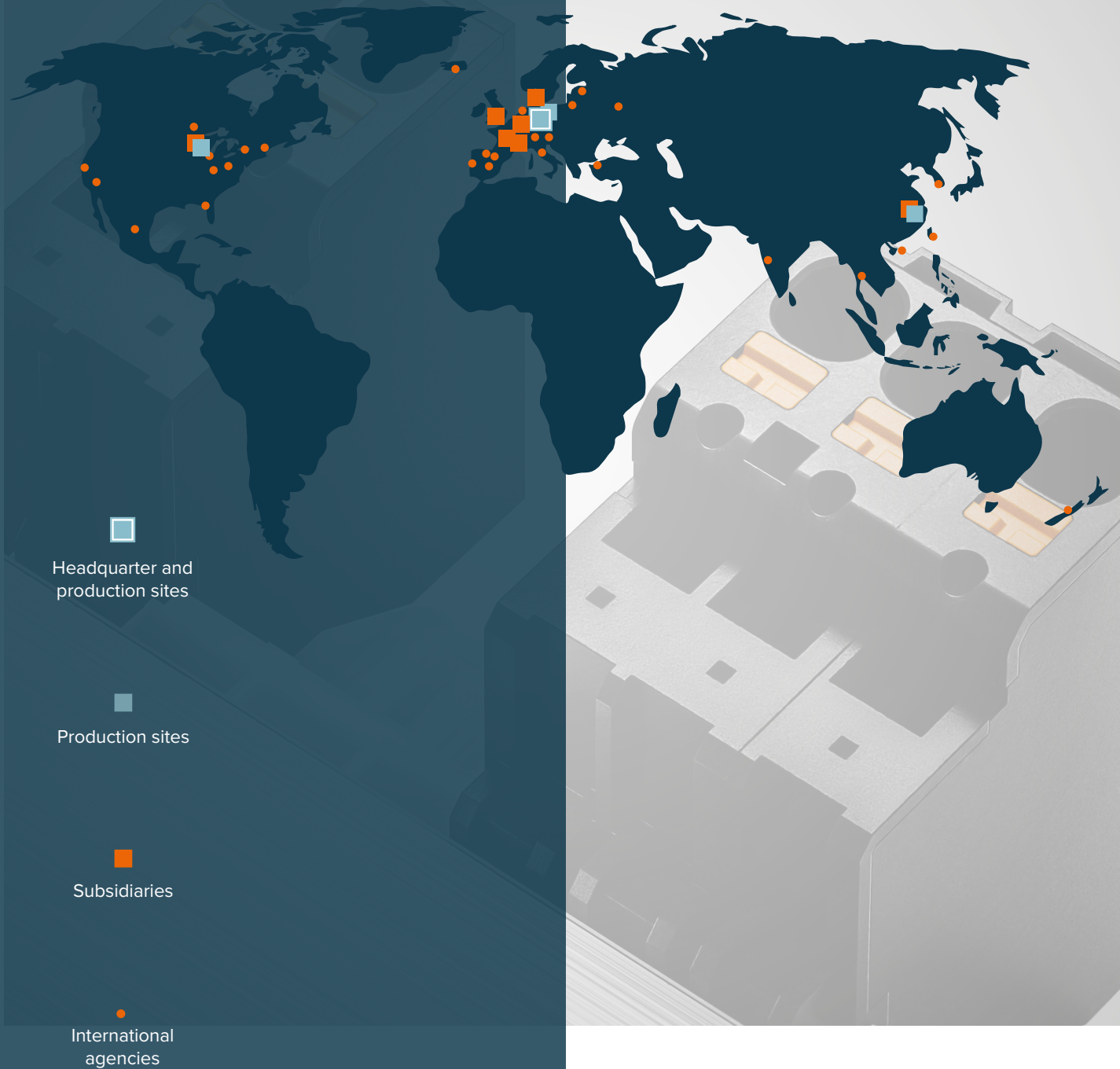
The innovative strength here lies in the simple – so uncomplicated in handling that one would not want to miss this new type of terminal. Our world innovation for the transformer market. Because it has never been easier to wire your transformer and integrate it into your application.

The wiring is also possible via a robot.

Easy **disconnecting**



A GLOBAL GROUP



BLOCK USA, Inc.
10632 W. Grand Avenue
Franklin Park • IL 60131 • USA
Phone +1 847 260 9050
info@blockusa.com
www.blockusa.com

BLOCK 
perfecting power